

S.P.U. (A984/A711)

PARTS CATALOG

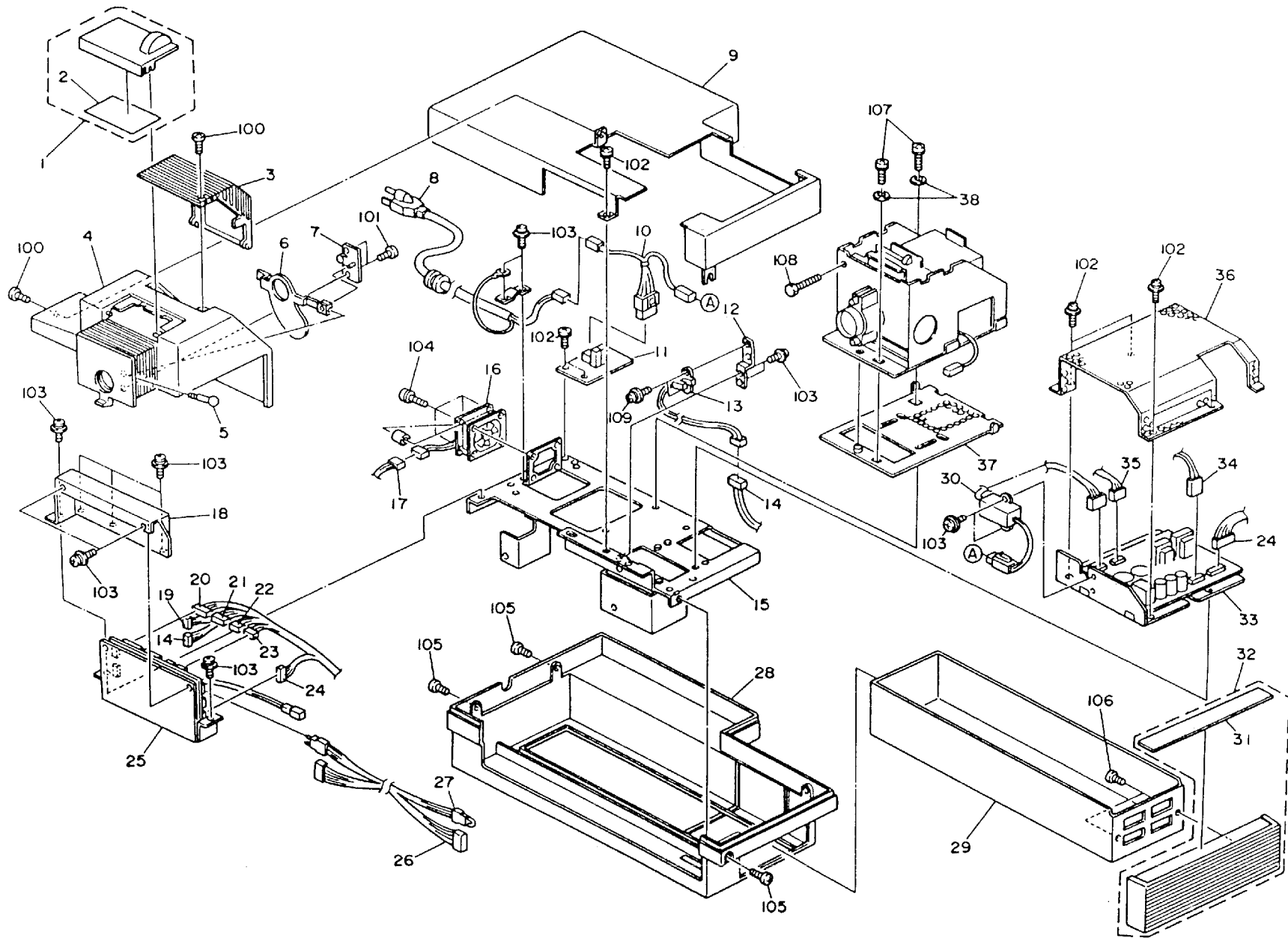
INTRODUCTION

This chapter instructs you the numbers and names of parts on this machine.

INDEX to PARTS CATALOG

1.Exterior (A984/A711)	2
2.Optical Section (A984/A711)	4
3.Drive Section (A984/A711)	6
4.Accessoris (A984/A711)	8
PARTS INDEX.....	11

1.EXTERIOR (A984/A711)

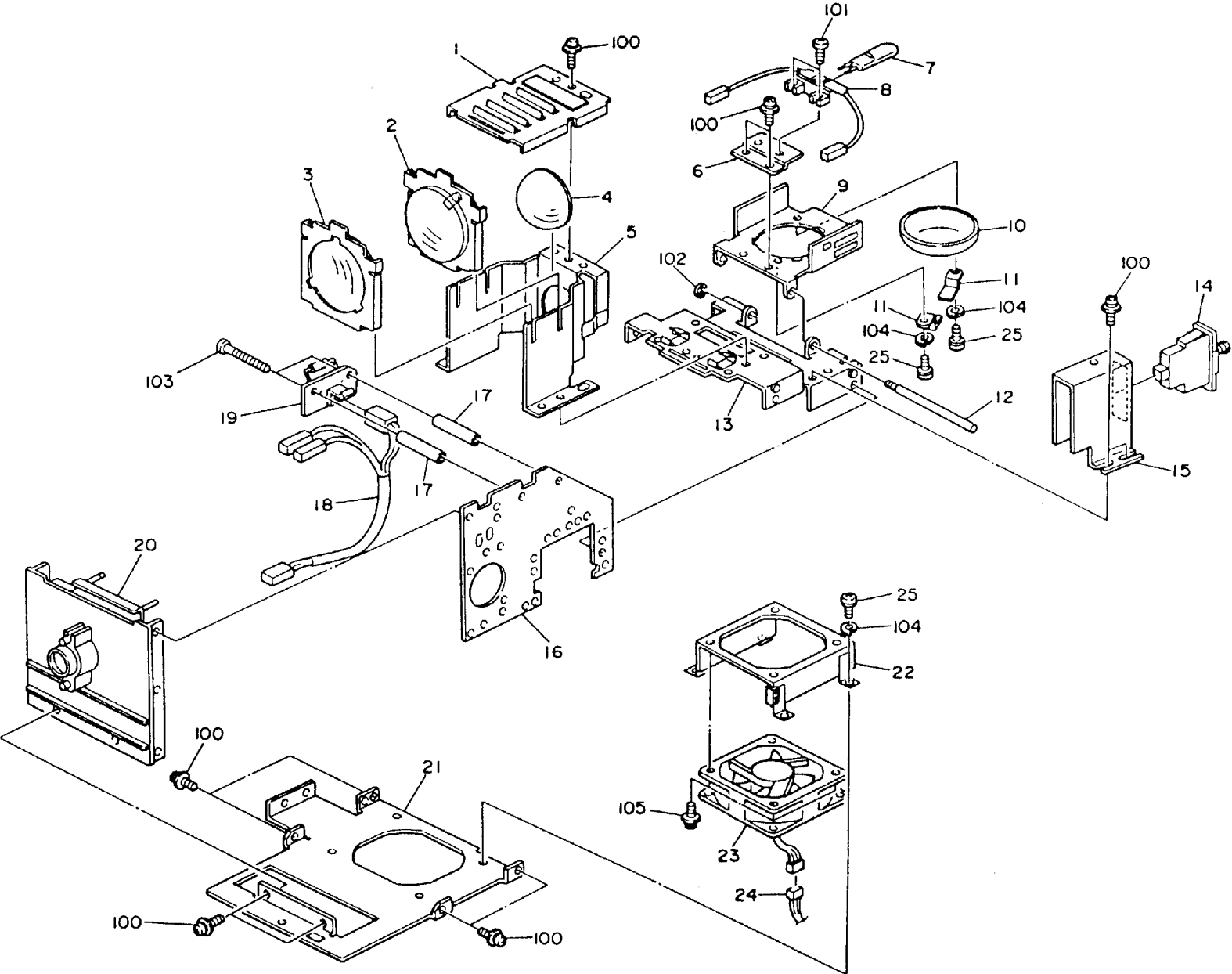


1.EXTERIOR (A984/A711)

Index No.	Part No.	Description	Q'ty Per Assembly
1	A984 1346	Upper Cover - Film Entrance	1
2	A984 1347	Decal - Film Setting - LT	1
2	A984 6021	Decal - 5 Language	1
3	A984 1351	Lamp Cover	1
4	A984 1350	Upper Cover	1
5	A984 1343	Lens Cover Knob	1
6	A984 1342	Lens Cover	1
7	A984 1344	Lens Cover Holder	1
8	A984 5391	Power Supply Cord - 230V	1
8	A984 5392	Power Supply Cord - 115V	1
9	A984 1321	Base Plate	1
10	A984 5330	Noise Filter Harness	1
11	A984 5216	Arrestor - 230V	1
11	A984 5217	Arrestor - 115V	1
12	A984 1062	Sensor Bracket	1
13	A984 5240	Sensor Ass'y - Lens Cover	1
14	A984 5312	Harness - Lens Cover Sensor	1
15	A984 1051	Base Plate (A984)	1
15	A711 1051	Base Plate (A711)	1
16	A984 5831	Outlet Fan (A984)	1
16	A711 5831	Outlet Fan (A711)	1
17	A984 5304	Harness - Fan Motor	1
18	A984 5821	Board Cover	1
19	A984 5310	Harness - Scanner Motor	1
20	A984 5308	Harness - Light Compensation Filter	1
21	A984 5306	Harness - F/C	1
22	A984 5304	Harness - Fan Motor	1
23	A984 5302	Harness - Power Supply ON/OFF (A984)	1
23	A711 5302	Harness - Power Supply ON/OFF (A711)	1
24	A984 5300	Harness - Power Supply Unit	1
25	A984 5100	Main Board	1
26	A984 5320	Interface Harness	1
27	A984 5318	Optical Fiber Cable	1
28	A984 1326	Under Cover	1
29	A984 1363	Drawer	1

Index No.	Part No.	Description	Q'ty Per Assembly
30	A984 5211	Noise Filter - 230V	1
30	A984 5212	Noise Filter - 115V	1
31	A984 1352	Decal - Warning	1
31	A984 6020	Decal - 5 Language	1
32	A984 1366	Front Drawer Cover	1
33	A984 5151	Power Supply Unit - 230V	1
33	A984 5152	Power Supply Unit - 115V	1
34	A984 5314	Exposure Lamp Harness	1
35	A984 5302	Harness - Power Supply ON/OFF	1
36	A984 5822	Power Supply Unit Cover	1
37	A984 1656	Adjusting Plate	1
38	A984 1666	Washer	1
100	0354 0060Z	Philips Truss Head Screw - M4x6	
101	0433 0062B	Tapping Screw - M3 x 6 mm	
102	0314 0060B	Philips Pan Head Screw - M4x6	
103	0954 3006B	Double Sens Screw - M4x8	
104	0313 0300Z	Philips Pan Head Screw - M3x30	
105	0354 0080Z	Screw - M4x8	
106	0434 0082B	Tapping Screw - M4x8	
107	0950 4008B	Philips Screw With Spring Washer -	
108	0314 0250B	Philips Pan Head Screw - M4x25	
109	0313 0050W	Philips Pan Head Screw - M3x5	

2.OPTICAL SECTION (A984/A711)

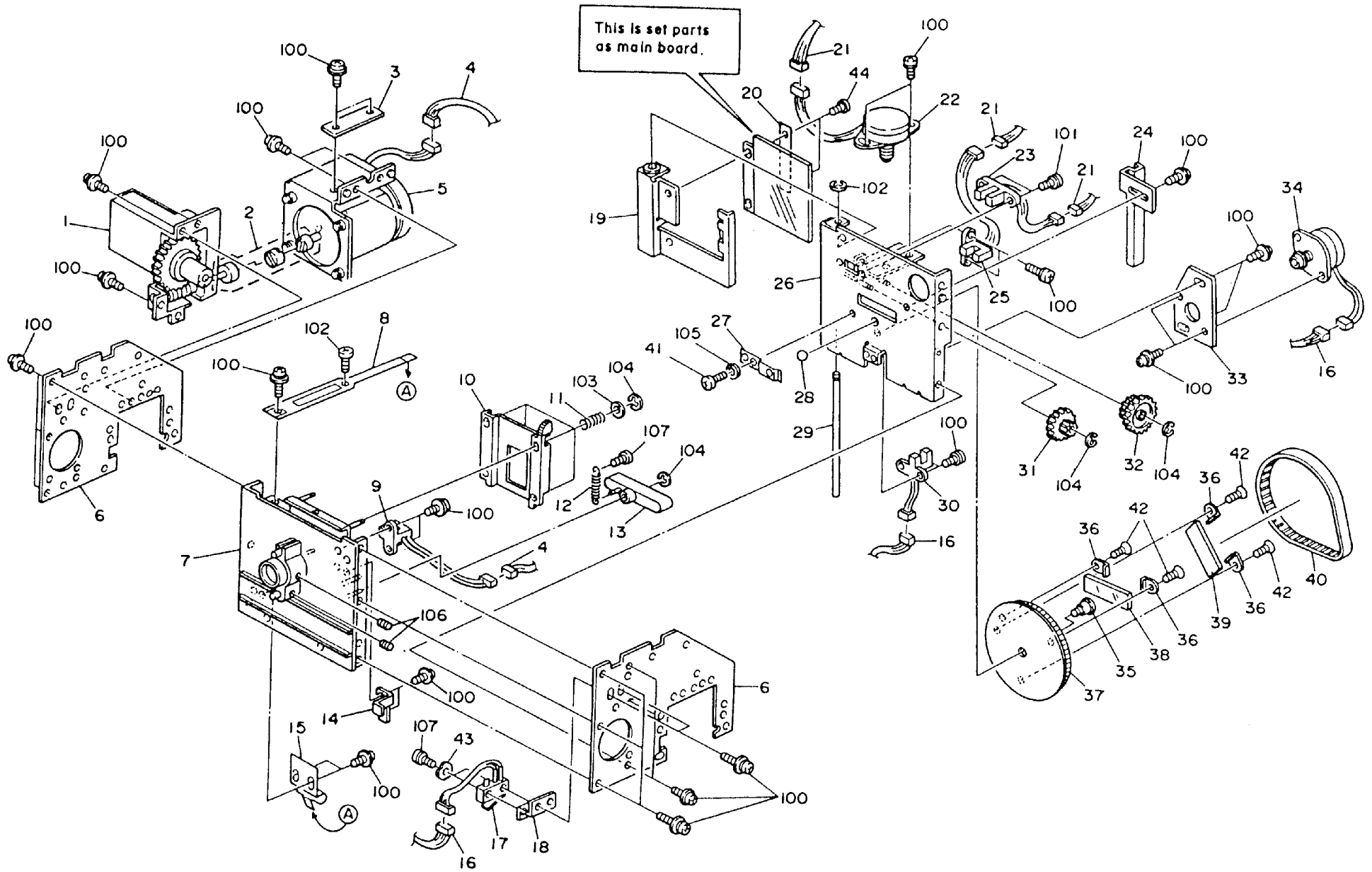


2.OPTICAL SECTION (A984/A711)

Index No.	Part No.	Description	Q'ty Per Assembly
1	A984 1880	Lens Cover	1
2	A984 1866	1st Condenser Lens	1
3	A984 1872	2nd Condenser Lens	1
4	A984 1887	Nonspherical Lens	1
5	A984 1859	Condenser Lens Cover	1
6	A984 1898	Lamp Bracket	1
7	A984 5837	Exposure Lamp - 15V 150W	1
8	A984 5835	Exposure Lamp Holder	1
9	A984 1890	Reflector Bracket	1
10	A984 1893	Reflector	1
11	A984 1877	Spring Plate	2
12	A984 1896	Lamp Bracket Shaft	1
13	A984 1735	Exposure Base Plate	1
14	A984 5840	Safety Switch	1
15	A984 1915	Safety Switch Bracket	1
16	A984 1727	Lens Side Plate	1
17	A984 1908	Thermofuse Spacer	2
18	A984 5314	Exposure Lamp Harness	1
19	A984 5170	Thermofuse	1
20	A984 1678	Lens Plate Ass'y	1
21	A984 1664	Lens Unit Base	1
22	A984 1672	Lamp Bracket	1
23	A984 5832	Inlet Fan	1
24	A984 5304	Harness - Fan Motor	1
25	A984 1112	Pan Head Screw - M3x3	6

Index No.	Part No.	Description	Q'ty Per Assembly
100	0951 3005W	Philips Screw with Flat Washer - M3x5	
101	0313 0060B	Philips Pan Head Screw - M3x6	
102	0720 0020E	Retaining Ring - M2	
103	0313 0300Z	Philips Pan Head Screw - M3x30	
104	0703 0030B	Lock Washer - M3	
105	0353 0060W	Philips Pan Head Screw - M3x6	

3.DRIVE SECTION (A984/A711)

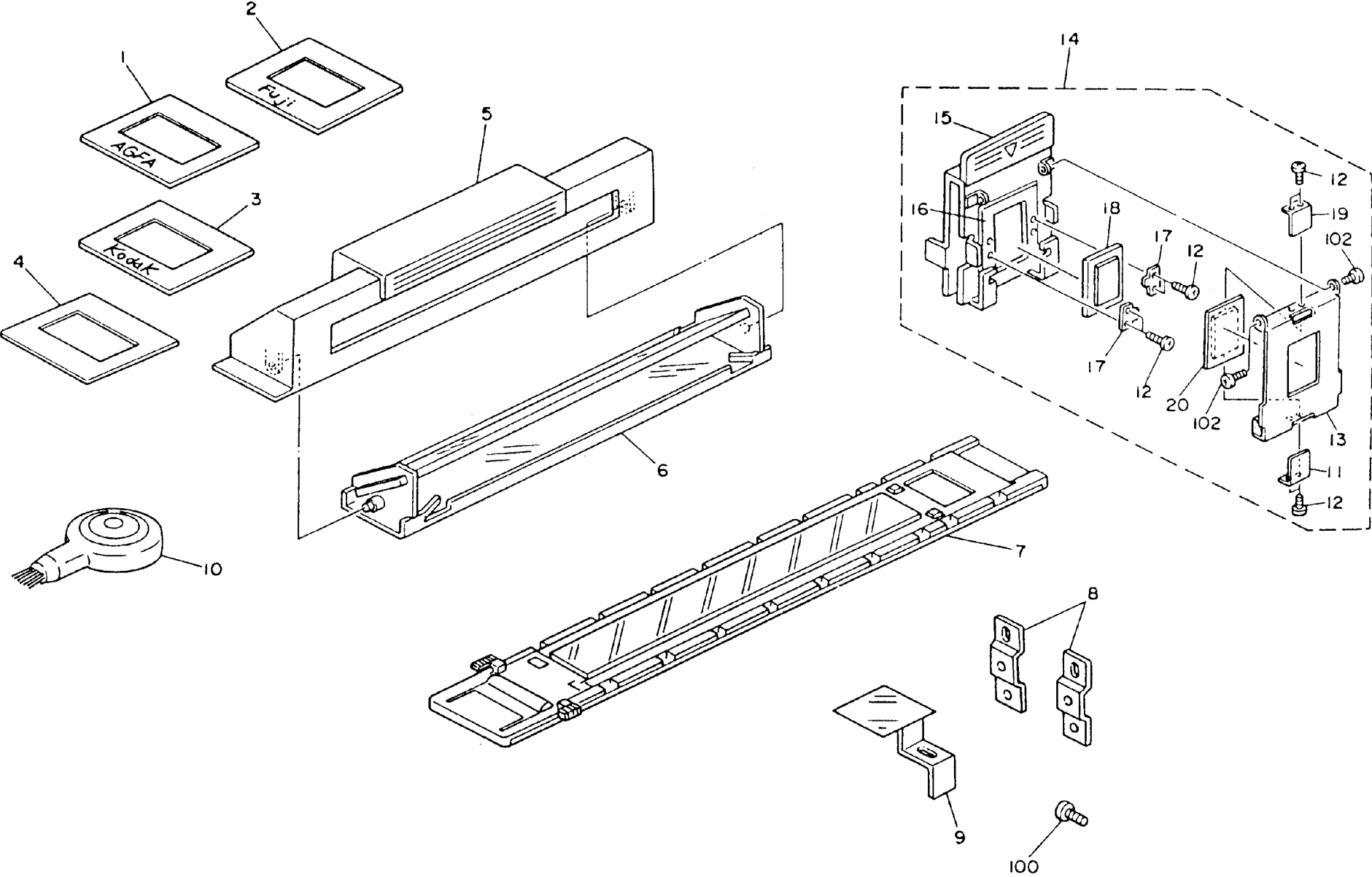


3.DRIVE SECTION (A984/A711)

Index No.	Part No.	Description	Q'ty Per Assembly
1	A984 1830	Gear Box	1
2	A984 1852	Coupling	1
3	A984 5809	Rear Harness Cover	1
4	A984 5310	Harness - Scanner Motor	1
5	A984 1847	Film Scan Motor	1
6	A984 1727	Lens Side Plate	2
7	A984 1678	Lens Plate Ass'y	1
8	A984 1818	Film Scanning Belt	1
9	A984 5236	Sensor Ass'y - Film Scan H.P.	1
10	A984 1703	Film Holder	1
11	A984 1707	Holder Pressure Spring	4
12	A984 1711	Actuator Release Spring	1
13	A984 1709	Holder Set Switch Actuator	1
14	A984 1699	H.P.Sensor Actuator	1
15	A984 1820	Tension Bracket	1
16	A984 5306	Harness - F/C	1
17	A984 5232	Holder Set Switch Ass'y	1
18	A984 1726	Switch Bracket	1
19	A984 1785	Guide Bracket	1
20	A984 1787	Filter Spring Plate	1
21	A984 5308	harness - Light Compensation Filter	1
22	A984 5825	Light Compensation Filter Motor	1
23	A984 5238	Sensor Ass'y - Mount Holder Set	1
24	A984 1770	Filter Guide - Light Compensation	1
25	A984 5234	Light Compensation Filter	1
26	A984 1733	Filter Bracket	1
27	A984 1760	Spring Plate	1
28	A984 1762	Steel Ball - Click	1
29	A984 1782	Filter Guide Shaft	1
30	A984 5230	Comensation Filter Color	1
31	A984 1806	Gear - Middle	1
32	A984 1810	Worm Wheel - Filter - AE	1
33	A984 1764	Motor Bracket - Color Compensation	1
34	A984 5823	Color Compensation Filter Motor	1
35	A984 1742	Fixing Screw F/C	1

Index No.	Part No.	Description	Q'ty Per Assembly
36	A984 1747	Spring Plate	4
37	A984 1745	Color Compensation Filter	1
38	A984 1749	Positive Film Filter	1
39	A984 1750	Negative Film Filter	1
40	A984 1766	Timing Belt F/C	1
41	A984 1112	Pan Head Screw - M3x3	1
42	A984 1113	Tapping Screw - M2x4	4
43	A984 1114	Spring Washer - M2	1
44	A984 1111	Pan Head Screw - M1.7x2.5 - NI	2
100	0951 3005W	Philips Screw with Flat Washer - M3x5	
101	0353 0060W	Philips Pan Head Screw - M3x6	
102	0720 0030E	Retaining Ring - M3	
103	0701 0030W	Flat Washer - M3	
104	0720 0020E	Retaining Ring - M2	
105	0703 0030B	Lock Washer - M3	
106	0573 0030W	Hexagon Headless Set Screw - M3x3	
107	0242 0080W	Pan Head Screw - M2x8	

4.ACCESSORIES (A984/A711)



4.ACCESSIRUES (A984/A711)

Index No.	Part No.	Description	Q'ty Per Assembly
1	A984 6016	Base Film - AGFA	1
2	A984 6015	Base Film - Fuji	1
3	A984 6017	Base Film - Kodak	1
4	A984 6018	Base Film	1
5	A984 1977	Mirror Unit Cover	1
6	A984 1976	Mirror	1
7	A984 1960	Strip Film Holder	1
8	A984 6002	Support Bracket	2
9	A984 6011	Safety Switch Actuator	1
10	A984 6010	Blower Brush	1
11	A984 1948	Lower Spring Plate	1
12	A984 1111	Pan Head Screw - M1.7x2.5 - NI	6
13	A984 1945	Mount Holder Cover	1
14	A984 1930	Film Mount Holder	1
15	A984 1932	Front Holder Bracket	1
16	A984 1939	Film Guide Plate	1
17	A984 1940	Spring Plate - Clear Plate	1
18	A984 1938	Clear Plate - Mount Holder	1
19	A984 1947	Upper Spring Plate	1
20	A984 1946	Clear Plate - Mount holder	1

Index No.	Part No.	Description	Q'ty Per Assembly
100	0354 0080Z	Screw - M4x8	
101	0242 0040Z	Pan Head Screw - M2x4	

PARTS INDEX

Part No.	Description	Page and Index No.
A984 1051	Base Plate (A984)	3- 15
A984 1062	Sensor Bracket	3- 12
A984 1111	Pan Head Screw - M1.7x2.5 - NI	7- 44
A984 1111	Pan Head Screw - M1.7x2.5 - NI	9- 12
A984 1112	Pan Head Screw - M3x3	5- 25
A984 1112	Pan Head Screw - M3x3	7- 41
A984 1113	Tapping Screw - M2x4	7- 42
A984 1114	Spring Washer - M2	7- 43
A984 1321	Base Plate	3- 9
A984 1326	Under Cover	3- 28
A984 1342	Lens Cover	3- 6
A984 1343	Lens Cover Knob	3- 5
A984 1344	Lens Cover Holder	3- 7
A984 1346	Upper Cover - Film Entrance	3- 1
A984 1347	Decal - Film Setting - LT	3- 2
A984 1350	Upper Cover	3- 4
A984 1351	Lamp Cover	3- 3
A984 1352	Decal - Warning	3- 31
A984 1363	Drawer	3- 29
A984 1366	Front Drawer Cover	3- 32
A984 1656	Adjusting Plate	3- 37
A984 1664	Lens Unit Base	5- 21
A984 1666	Washer	3- 38
A984 1672	Lamp Bracket	5- 22
A984 1678	Lens Plate Ass'y	5- 20
A984 1678	Lens Plate Ass'y	7- 7
A984 1699	H.P.Sensor Actuator	7- 14
A984 1703	Film Holder	7- 10
A984 1707	Holder Pressure Spring	7- 11
A984 1709	Holder Set Switch Actuator	7- 13
A984 1711	Actuator Release Spring	7- 12
A984 1726	Switch Bracket	7- 18
A984 1727	Lens Side Plate	5- 16
A984 1727	Lens Side Plate	7- 6
A984 1733	Filter Bracket	7- 26

Part No.	Description	Page and Index No.
A984 1735	Exposure Base Plate	5- 13
A984 1742	Fixing Screw F/C	7- 35
A984 1745	Color Compensation Filter	7- 37
A984 1747	Spring Plate	7- 36
A984 1749	Positive Film Filter	7- 38
A984 1750	Negative Film Filter	7- 39
A984 1760	Spring Plate	7- 27
A984 1762	Steel Ball - Click	7- 28
A984 1764	Motor Bracket - Color Compensation	7- 33
A984 1766	Timing Belt F/C	7- 40
A984 1770	Filter Guide - Light Compensation	7- 24
A984 1782	Filter Guide Shaft	7- 29
A984 1785	Guide Bracket	7- 19
A984 1787	Filter Spring Plate	7- 20
A984 1806	Gear - Middle	7- 31
A984 1810	Worm Wheel - Filter - AE	7- 32
A984 1818	Film Scanning Belt	7- 8
A984 1820	Tension Bracket	7- 15
A984 1830	Gear Box	7- 1
A984 1847	Film Scan Motor	7- 5
A984 1852	Coupling	7- 2
A984 1859	Condenser Lens Cover	5- 5
A984 1866	1st Condenser Lens	5- 2
A984 1872	2nd Condenser Lens	5- 3
A984 1877	Spring Plate	5- 11
A984 1880	Lens Cover	5- 1
A984 1887	Nonspherical Lens	5- 4
A984 1890	Reflector Bracket	5- 9
A984 1893	Reflector	5- 10
A984 1896	Lamp Bracket Shaft	5- 12
A984 1898	Lamp Bracket	5- 6
A984 1908	Thermofuse Spacer	5- 17
A984 1915	Safety Switch Bracket	5- 15
A984 1930	Film Mount Holder	9- 14
A984 1932	Front Holder Bracket	9- 15

Part No.	Description	Page and Index No.
A984 1938	Clear Plate - Mount Holder	9- 18
A984 1939	Film Guide Plate	9- 16
A984 1940	Spring Plate - Clear Plate	9- 17
A984 1945	Mount Holder Cover	9- 13
A984 1946	Clear Plate - Mount holder	9- 20
A984 1947	Upper Spring Plate	9- 19
A984 1948	Lower Spring Plate	9- 11
A984 1960	Strip Film Holder	9- 7
A984 1976	Mirror	9- 6
A984 1977	Mirror Unit Cover	9- 5
A984 5100	Main Board	3- 25
A984 5151	Power Supply Unit - 230V	3- 33
A984 5152	Power Supply Unit - 115V	3- 33
A984 5170	Thermofuse	5- 19
A984 5211	Noise Filter - 230V	3- 30
A984 5212	Noise Filter - 115V	3- 30
A984 5216	Arrestor - 230V	3- 11
A984 5217	Arrestor - 115V	3- 11
A984 5230	Compensation Filter Color	7- 30
A984 5232	Holder Set Switch Ass'y	7- 17
A984 5234	Light Compensation Filter	7- 25
A984 5236	Sensor Ass'y - Film Scan H.P.	7- 9
A984 5238	Sensor Ass'y - Mount Holder Set	7- 23
A984 5240	Sensor Ass'y - Lens Cover	3- 13
A984 5300	Harness - Power Supply Unit	3- 24
A984 5302	Harness - Power Supply ON/OFF (A984)	3- 23
A984 5302	Harness - Power Supply ON/OFF	3- 35
A984 5304	Harness - Fan Motor	3- 17
A984 5304	Harness - Fan Motor	3- 22
A984 5304	Harness - Fan Motor	5- 24
A984 5306	Harness - F/C	3- 21
A984 5306	Harness - F/C	7- 16
A984 5308	Harness - Light Compensation Filter	3- 20
A984 5308	harness - Light Compensation Filter	7- 21
A984 5310	Harness - Scanner Motor	3- 19

Part No.	Description	Page and Index No.
A984 5310	Harness - Scanner Motor	7- 4
A984 5312	Harness - Lens Cover Sensor	3- 14
A984 5314	Exposure Lamp Harness	3- 34
A984 5314	Exposure Lamp Harness	5- 18
A984 5318	Optical Fiber Cable	3- 27
A984 5320	Interface Harness	3- 26
A984 5330	Noise Filter Harness	3- 10
A984 5391	Power Supply Cord - 230V	3- 8
A984 5392	Power Supply Cord - 115V	3- 8
A984 5809	Rear Harness Cover	7- 3
A984 5821	Board Cover	3- 18
A984 5822	Power Supply Unit Cover	3- 36
A984 5823	Color Compensation Filter Motor	7- 34
A984 5825	Light Compensation Filter Motor	7- 22
A984 5831	Outlet Fan (A984)	3- 16
A984 5832	Inlet Fan	5- 23
A984 5835	Exposure Lamp Holder	5- 8
A984 5837	Exposure Lamp - 15V 150W	5- 7
A984 5840	Safety Switch	5- 14
A984 6002	Support Bracket	9- 8
A984 6010	Blower Brush	9- 10
A984 6011	Safety Switch Actuator	9- 9
A984 6015	Base Film - Fuji	9- 2
A984 6016	Base Film - AGFA	9- 1
A984 6017	Base Film - Kodak	9- 3
A984 6018	Base Film	9- 4
A984 6020	Decal - 5 Language	3- 31
A984 6021	Decal - 5 Language	3- 2
A711 1051	Base Plate (A711)	3- 15
A711 5302	Harness - Power Supply ON/OFF (A711)	3- 23
A711 5831	Outlet Fan (A711)	3- 16

Part No.	Description	Page and Index No.
0242 0040Z	Pan Head Screw - M2x4	9-101
0242 0080W	Pan Head Screw - M2x8	7-107
0313 0050W	Philips Pan Head Screw - M3x5	3-109
0313 0060B	Philips Pan Head Screw - M3x6	5-101
0313 0300Z	Philips Pan Head Screw - M3x30	3-104
0313 0300Z	Philips Pan Head Screw - M3x30	5-103
0314 0060B	Philips Pan Head Screw - M4x6	3-102
0314 0250B	Philips Pan Head Screw - M4x25	3-108
0353 0060W	Philips Pan Head Screw - M3x6	5-105
0353 0060W	Philips Pan Head Screw - M3x6	7-101
0354 0060Z	Philips Truss Head Screw - M4x6	3-100
0354 0080Z	Screw - M4x8	3-105
0354 0080Z	Screw - M4x8	9-100
0433 0062B	Tapping Screw - M3 x 6 mm	3-101
0434 0082B	Tapping Screw - M4x8	3-106
0573 0030W	Hexagon Headless Set Screw - M3x3	7-106
0701 0030W	Flat Washer - M3	7-103
0703 0030B	Lock Washer - M3	5-104
0703 0030B	Lock Washer - M3	7-105
0720 0020E	Retaining Ring - M2	5-102
0720 0020E	Retaining Ring - M2	7-104
0720 0030E	Retaining Ring - M3	7-102
0950 4008B	Philips Screw With Spring Washer -	3-107
0951 3005W	Philips Screw with Flat Washer - M3x5	5-100
0951 3005W	Philips Screw with Flat Washer - M3x5	7-100
0954 3006B	Double Sens Screw - M4x8	3-103

Part No.	Description	Page and Index No.